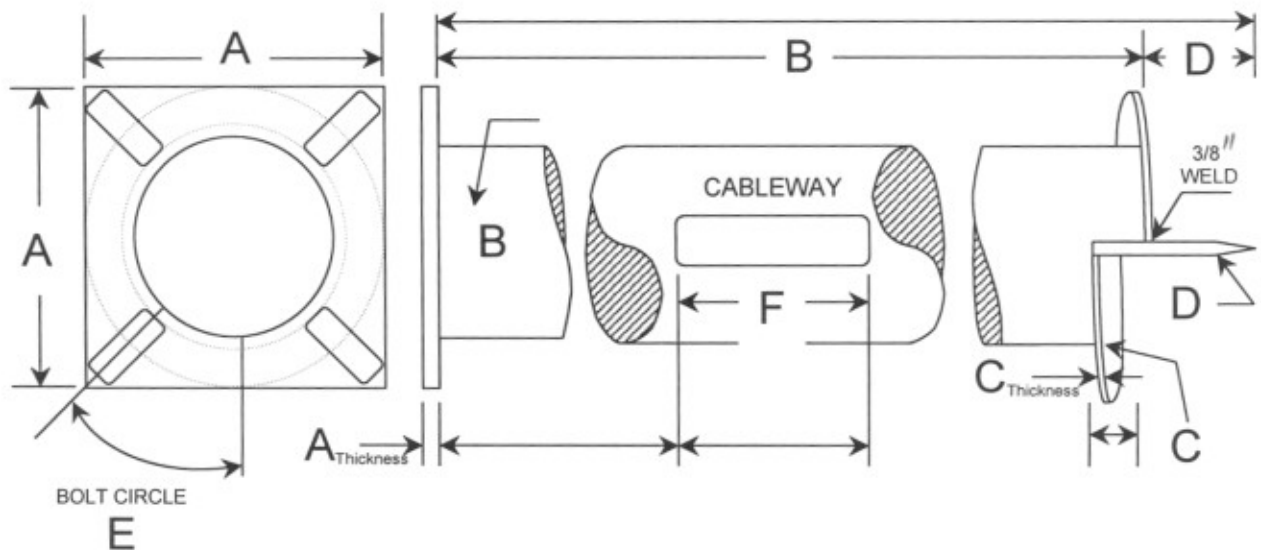


HELIX FOUNDATION

JOB: CHICAGO SPEC



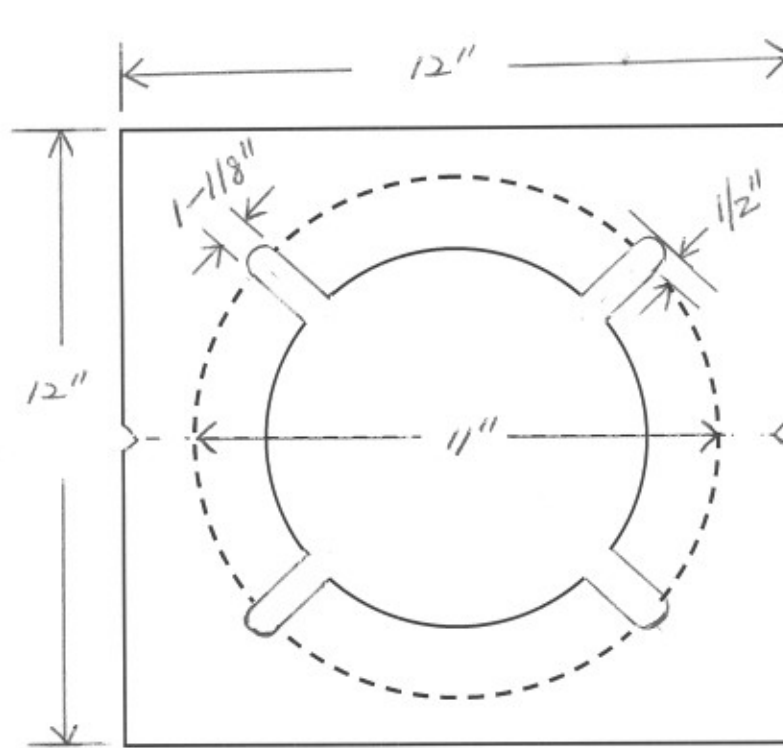
SLSF-8-5

- A BASEPLATE: 12" x 12" x 1" Thick
- B BODY: 8-5/8" OD Schedule 20 .250 Wall 5 Ft Long
- C HELIX PLATE: 3/8" x 14" OD with 3" Pitch
- D PILOT POINT: 9" Long x 1-1/4" OD
- E BOLT CIRCLE DESIGN: Variable Bolt Circle Center Hole - 11"
Slot Width 1-1/8"
- F CABLEWAY: 3" x 18" Starting 12" from top plate -- Double Sided

Each base plate will be stamped with CPI-SLSF-8-5 in 1/2" high letters and the date code stamped in 1/4" high letters.

HELIX IS HOT DIP GALVANIZED PER ASTM A-123

4/3/2007



Bolt Circle 8-5